



107

PROBLAR  
PROBES



ø 1,0 mm	ø 1,5 mm	ø 2,0 mm	
MS 107-101	MS 107-110	MS 107-120	11,5 cm / 4 1/2"
MS 107-102	MS 107-111	MS 107-121	13,0 cm / 5"
MS 107-103	MS 107-112	MS 107-122	14,5 cm / 5 3/4"
MS 107-104	MS 107-113	MS 107-123	16,0 cm / 6 1/4"
MS 107-105	MS 107-114	MS 107-124	18,0 cm / 7"
MS 107-106	MS 107-115	MS 107-125	20,0 cm / 8"
	MS 107-116	MS 107-126	25,0 cm / 9 3/4"
		MS 107-127	30,0 cm / 11 3/4"

ø 2,0 mm	
MS 107-140	11,5 cm / 4 1/2"
MS 107-141	13,0 cm / 5"
MS 107-142	14,5 cm / 5 3/4"
MS 107-143	16,0 cm / 6 1/4"
MS 107-144	18,0 cm / 7"
MS 107-145	20,0 cm / 8"
MS 107-146	25,0 cm / 9 3/4"

Ø 1,0 mm



**STACKE**

MS 107-150	10,5 cm / 4 1/8"
------------	------------------

ø 1,5 mm	ø 2,0 mm	ø 3,5 mm	
-	MS 107-152	MS 107-170	11,5 cm / 4 1/2"
MS 107-151	MS 107-153	MS 107-171	13,0 cm / 5"
-	MS 107-154	MS 107-172	14,5 cm / 5 3/4"
-	MS 107-155	MS 107-173	16,0 cm / 6 1/4"
-	MS 107-156	MS 107-174	20,0 cm / 8"



ø 3,3 mm

- MS 107-190** 13,0 cm / 5"
- MS 107-191** 14,5 cm / 5<sup>3</sup>/<sub>4</sub>"
- MS 107-192** 16,0 cm / 6<sup>1</sup>/<sub>4</sub>"
- MS 107-193** 18,0 cm / 7"
- MS 107-194** 20,0 cm / 8"



**DOYEN**

- MS 107-200** 14,5 cm / 5<sup>3</sup>/<sub>4</sub>"



**NELATON**

- MS 107-201** 16,0 cm / 6<sup>1</sup>/<sub>4</sub>"



**BRODIE**

- MS 107-210** 20,0 cm / 8"



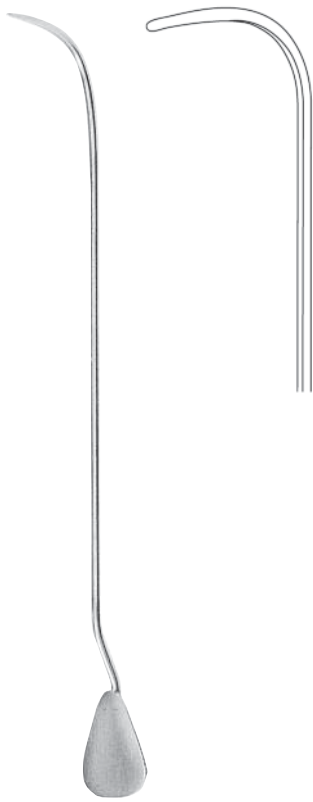
**LOCKHARD-MUMMERY**

- MS 107-211** 16,5 cm / 6<sup>1</sup>/<sub>2</sub>"



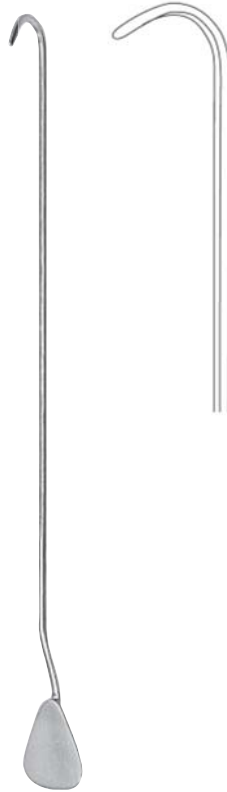
**LOCKHARD-MUMMERY**

- MS 107-212** 16,5 cm / 6<sup>1</sup>/<sub>2</sub>"



**LOCKHARD-MUMMERY**

**MS 107-213** 16,5 cm / 6 1/2"



**LOCKHARD-MUMMERY**

**MS 107-214** 16,5 cm / 6 1/2"



**VARADY**  
18,0 cm / 7"



**MS 107-220**



**MS 107-221**



**MS 107-222**



**MS 107-223**



**MS 107-224**



**MS 107-225**





**NABATOFF**  
**MS 107-240**  
komple set  
complete

**MS 107-241** 135x100x25 mm  
Metal Kutu  
Metal case



**MS 107-243**  
Ø 3,0 mm



**MS 107-244**  
Ø 6,0 mm



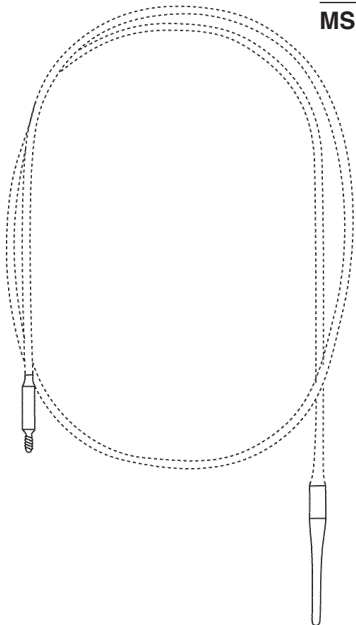
**MS 107-245**  
Ø 9,0 mm



**MS 107-246**  
Ø 12,0 mm

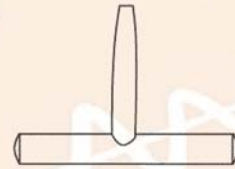


**MS 107-247**  
Ø 15,0 mm



**MS 107-249**

**MS 107-242**  
plastik prob ucu  
Plastic probe tip



**MS 107-248**



MS 107-260  
Ø 2,0 mm

MS 107-261  
Ø 3,0 mm

MS 107-262  
Ø 4,0 mm

MS 107-263  
Ø 6,0 mm

MS 107-264  
Ø 7,0 mm

MS 107-265  
Ø 8,0 mm

MS 107-266  
Ø 10,0 mm

MS 107-267  
Ø 12,0 mm

MS 107-268  
Ø 14,0 mm

**VOLLMAR**  
50,0 cm / 19<sup>3</sup>/<sub>4</sub>"

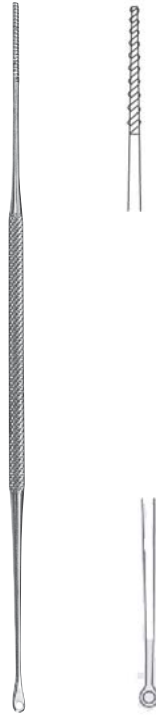


MS 107-280 12,0 cm / 4<sup>3</sup>/<sub>8</sub>"



**JOBSON-HORNE**

**MS 107-290** 18,0 cm / 7"



**UCKERMANN**

**MS 107-291** 16,0 cm / 6 1/4"



**FARRELL**

<b>MS 107-292</b>	Ø 0,9 mm	12,0 cm / 4 3/4"
<b>MS 107-293</b>	Ø 0,9 mm	14,0 cm / 5 1/2"
<b>MS 107-294</b>	Ø 1,1 mm	16,5 cm / 6 1/2"
<b>MS 107-295</b>	Ø 1,2 mm	18,0 cm / 7"



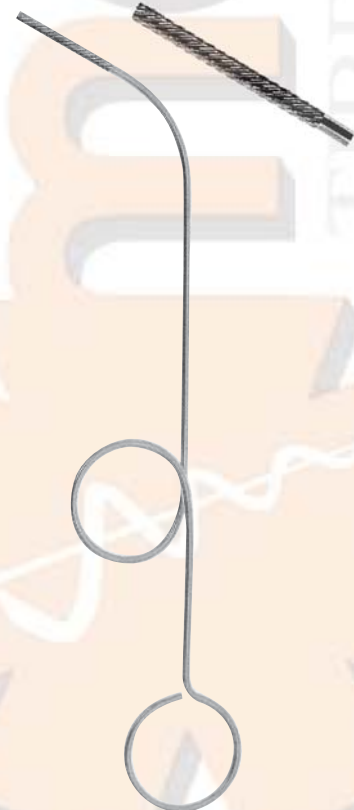
**FARRELL**

<b>MS 107-300</b>	Ø 0,9 mm	12,0 cm / 4 3/4"
<b>MS 107-301</b>	Ø 0,9 mm	14,0 cm / 5 1/2"
<b>MS 107-302</b>	Ø 1,1 mm	16,5 cm / 6 1/2"
<b>MS 107-303</b>	Ø 1,2 mm	18,0 cm / 7"



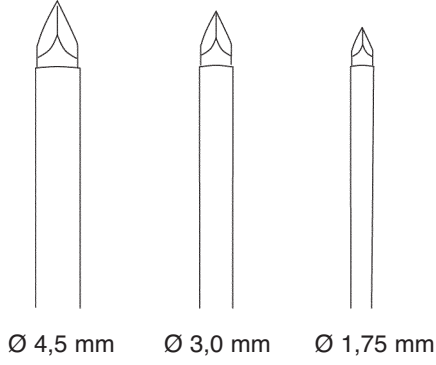
**FEIN**

**MS 107-310** 28,0 cm / 11"



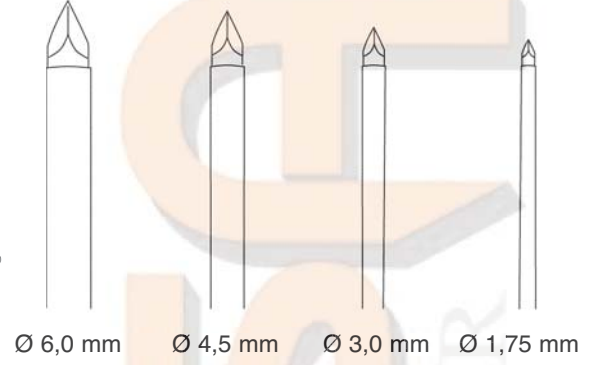
**PELTESON**

**MS 107-311** 23,0 cm / 9"



3 trokar ucu ile  
Trocar with 3 tips

**UNIVERSAL**  
MS 107-320



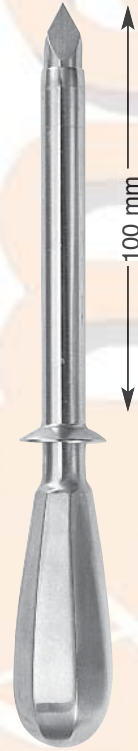
4 trokar ucu ile  
Trocar with 4 tips

**UNIVERSAL**  
MS 107-321



**STANDART**

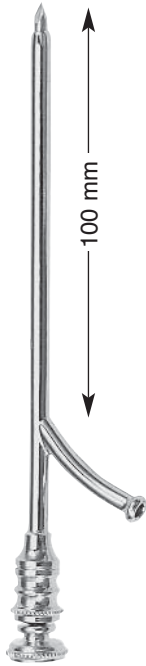
- |            |          |
|------------|----------|
| MS 107-330 | Ø 3,0 mm |
| MS 107-331 | Ø 3,5 mm |
| MS 107-332 | Ø 4,0 mm |
| MS 107-333 | Ø 4,5 mm |
| MS 107-334 | Ø 5,0 mm |
| MS 107-335 | Ø 5,5 mm |
| MS 107-336 | Ø 6,0 mm |



**NELSON**

- |            |           |
|------------|-----------|
| MS 107-340 | Ø 7,5 mm  |
| MS 107-341 | Ø 9,0 mm  |
| MS 107-342 | Ø 11,0 mm |





**OCHSNER**

- MS 107-350    Ø 4,0 mm
- MS 107-351    Ø 5,5 mm
- MS 107-352    Ø 6,5 mm



**LICHTWITZ**

- MS 107-360    19,0 cm / 7 1/2"



**DOUGLAS**

- MS 107-361    Ø 3,0 mm



**KRAUSE**

- MS 107-370    Ø 4,0 mm
- MS 107-371    Ø 5,5 mm



**PIERCE**

- MS 107-372    Ø 4,0 mm



**BUELAU**

- MS 107-373    Ø 8,0 mm



Ø 2,0 mm

**LANDAU**

**MS 107-380** 16,0 cm / 6 1/4"



Ø 2,3 mm

**COAKLEY**

**MS 107-381** 14,0 cm / 5 1/4"



Ø 4,0 mm

**ADSON**

**MS 107-390** 21,0 cm / 8 1/4"



Ø 3,0 mm

**ADSON**

**MS 107-391** 16,5 cm / 6 1/2"



**FRAZIER**

**MS 107-392** Charr. 10 20,0 cm / 8"



**FRAZIER**

<b>MS 107-400</b>	Charr. 6	19,0 cm / 7 1/2"
<b>MS 107-401</b>	Charr. 7	19,0 cm / 7 1/2"
<b>MS 107-402</b>	Charr. 8	19,0 cm / 7 1/2"
<b>MS 107-403</b>	Charr. 9	19,0 cm / 7 1/2"
<b>MS 107-404</b>	Charr. 10	19,0 cm / 7 1/2"
<b>MS 107-405</b>	Charr. 11	19,0 cm / 7 1/2"
<b>MS 107-406</b>	Charr. 12	19,0 cm / 7 1/2"



**POPPE**

<b>MS 107-420</b>	Charr. 6	13,0 cm / 5"
<b>MS 107-421</b>	Charr. 8	13,0 cm / 5"
<b>MS 107-422</b>	Charr. 10	13,0 cm / 5"
<b>MS 107-423</b>	Charr. 12	13,0 cm / 5"



**PLESTER**

<b>MS 107-430</b>	Ø 1,5 mm	
<b>MS 107-431</b>	Ø 2,0 mm	
<b>MS 107-432</b>	Ø 2,5 mm	
<b>MS 107-433</b>	Ø 3,0 mm	



**LEMPERT**

<b>MS 107-440</b>	Ø 2,0 mm	20,0 cm / 8"
<b>MS 107-441</b>	Ø 3,0 mm	20,0 cm / 8"



**COGSWELL**  
MS 107-450 23,0 cm / 9"



**LANDOLT**  
MS 107-451 20,0 cm / 8"

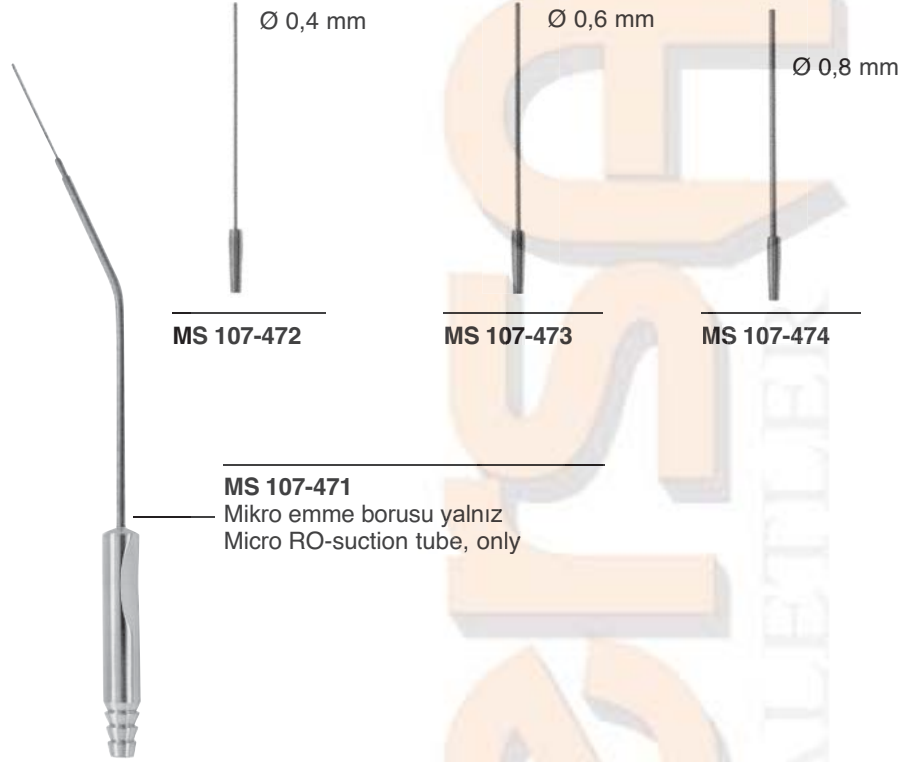


**KILNER**  
MS 107-452 19,0 cm / 7 1/2"



**MAGILL**

- MS 107-460** Ø 3,0 mm 17,5 cm / 6<sup>5</sup>/<sub>8</sub>"
- MS 107-461** Ø 3,5 mm 17,5 cm / 6<sup>5</sup>/<sub>8</sub>"
- MS 107-462** Ø 4,0 mm 17,5 cm / 6<sup>5</sup>/<sub>8</sub>"



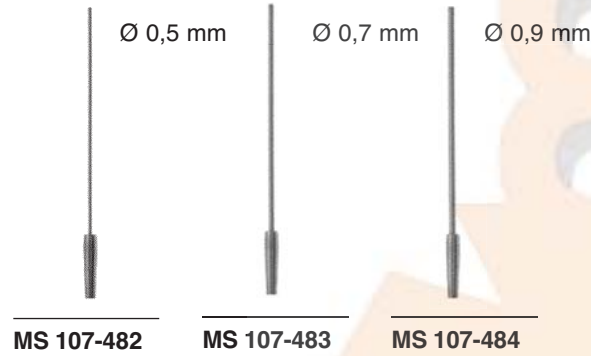
**WULLSTEIN**

- MS 107-470** 17,0 cm / 6<sup>3</sup>/<sub>4</sub>"
- Komple set, complete



**MS 107-481**

Mikro emme borusu yalnız  
MICRO-suction tube, only



**BELLUCCI**

- MS 107-480** 15,5 cm / 6"
- Komple set, complete



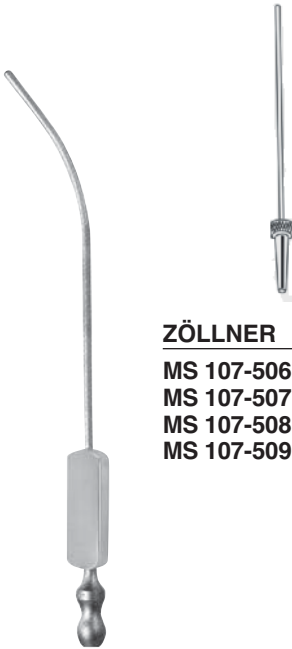
**SCHUKNECHT**

- |                   |          |                  |
|-------------------|----------|------------------|
| <b>MS 107-490</b> | Ø 0,5 mm | 13,0 cm / 5 1/8" |
| <b>MS 107-491</b> | Ø 0,9 mm | 13,0 cm / 5 1/8" |



**BARRON**

- |                   |          |              |
|-------------------|----------|--------------|
| <b>MS 107-500</b> | Ø 1,0 mm | 10,0 cm / 4" |
| <b>MS 107-501</b> | Ø 2,3 mm | 10,0 cm / 4" |



**ZÖLLNER**

- |                   |          |
|-------------------|----------|
| <b>MS 107-506</b> | Ø 0,5 mm |
| <b>MS 107-507</b> | Ø 0,7 mm |
| <b>MS 107-508</b> | Ø 0,9 mm |
| <b>MS 107-509</b> | Ø 1,2 mm |

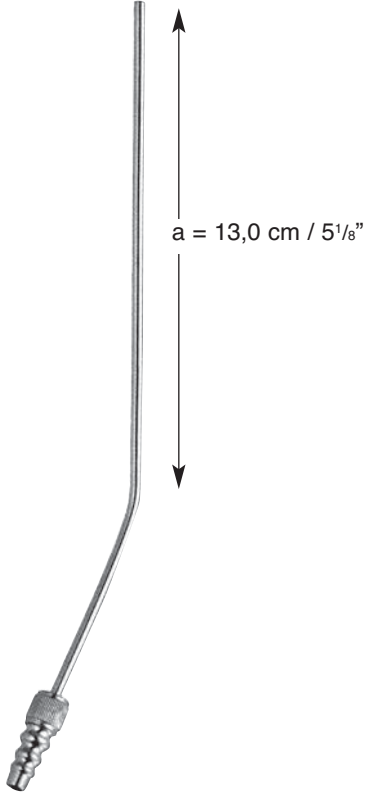
**ZÖLLNER**

- |                   |              |
|-------------------|--------------|
| <b>MS 107-505</b> | 18,0 cm / 7" |
|-------------------|--------------|



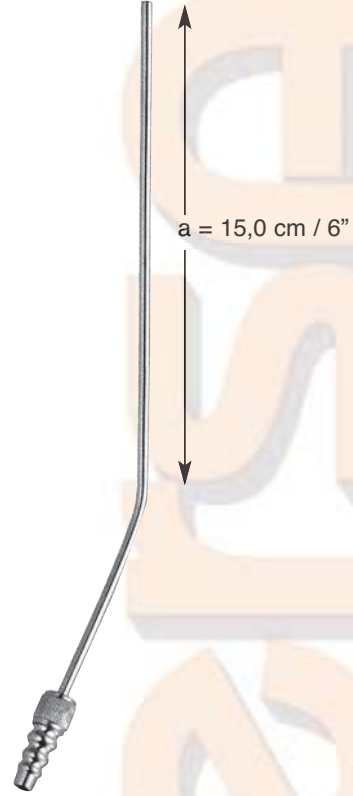
**HOUSE**

- |                   |                 |
|-------------------|-----------------|
| <b>MS 107-520</b> | Ø 0,9 mm/0,7 mm |
| <b>MS 107-521</b> | Ø 1,2 mm/0,9 mm |
| <b>MS 107-522</b> | Ø 1,5 mm/1,2 mm |



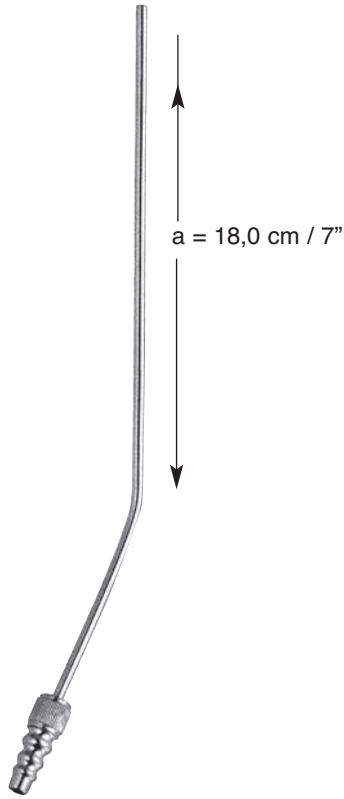
**YASARGIL**

- |                   |          |
|-------------------|----------|
| <b>MS 107-530</b> | Ø 1,5 mm |
| <b>MS 107-531</b> | Ø 2,0 mm |
| <b>MS 107-532</b> | Ø 2,5 mm |
| <b>MS 107-533</b> | Ø 3,5 mm |



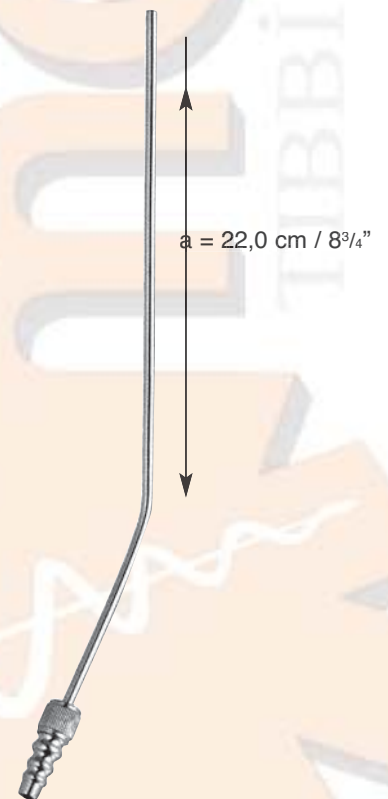
**YASARGIL**

- |                   |          |
|-------------------|----------|
| <b>MS 107-540</b> | Ø 1,5 mm |
| <b>MS 107-541</b> | Ø 2,0 mm |
| <b>MS 107-542</b> | Ø 2,5 mm |
| <b>MS 107-543</b> | Ø 3,5 mm |



**YASARGIL**

- |                   |          |
|-------------------|----------|
| <b>MS 107-550</b> | Ø 1,5 mm |
| <b>MS 107-551</b> | Ø 2,0 mm |
| <b>MS 107-552</b> | Ø 2,5 mm |
| <b>MS 107-553</b> | Ø 3,5 mm |



**YASARGIL**

- |                   |          |
|-------------------|----------|
| <b>MS 107-560</b> | Ø 1,5 mm |
| <b>MS 107-561</b> | Ø 2,0 mm |
| <b>MS 107-562</b> | Ø 2,5 mm |
| <b>MS 107-563</b> | Ø 3,5 mm |



**YANKAUER**  
**MS 107-570** 27,0 cm / 10<sup>3</sup>/<sub>4</sub>"



**YANKAUER**  
**MS 107-571** 28,5 cm / 11<sup>1</sup>/<sub>4</sub>"



**ANDREW -PYNCHON**  
**MS 107-572** 24,0 cm / 9<sup>1</sup>/<sub>2</sub>"



**POOLE**  
**MS 107-580** 22,0 cm / 8<sup>5</sup>/<sub>8</sub>"



**POOLE**  
**MS 107-581** 22,0 cm / 8<sup>5</sup>/<sub>8</sub>"



Ø 8,0 mm



**COOLEY**

**MS 107-590** 35,0 cm / 13<sup>3</sup>/<sub>4</sub>"

Ø 7,0 mm



**COOLEY**

**MS 107-591** 30,0 cm / 11<sup>3</sup>/<sub>4</sub>"

Ø 3,5 mm

**MS 107-594**

Ø 3,5 mm

Ø 10,0 mm



**COOLEY**

**MS 107-592** 31,0 cm / 11<sup>3</sup>/<sub>4</sub>"

Ø 8,0 mm



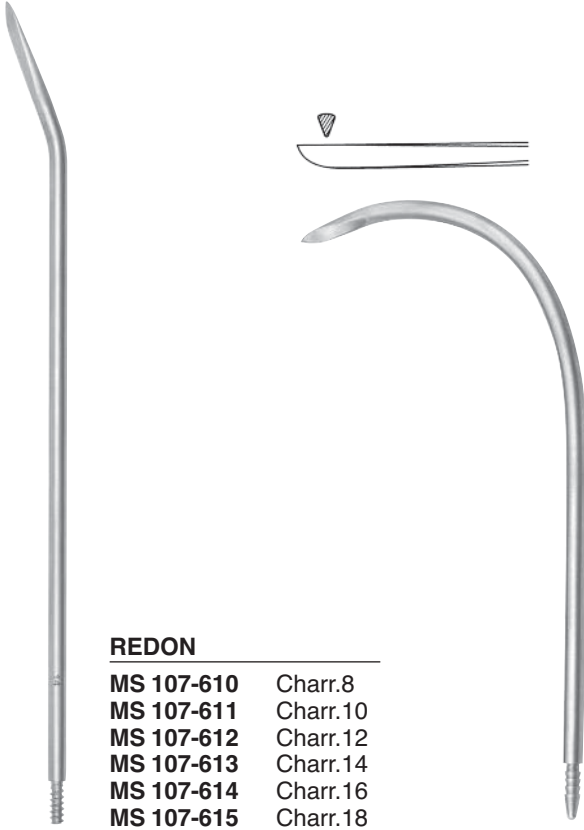
**COOLEY**

**MS 107-593** 33,0 cm / 13"

**COUPLAND**

**MS 107-595** 17,0 cm / 6<sup>3</sup>/<sub>4</sub>"





**REDON**

<b>MS 107-610</b>	Charr.8
<b>MS 107-611</b>	Charr.10
<b>MS 107-612</b>	Charr.12
<b>MS 107-613</b>	Charr.14
<b>MS 107-614</b>	Charr.16
<b>MS 107-615</b>	Charr.18

**REDON**

<b>MS 107-620</b>	Charr.8
<b>MS 107-621</b>	Charr.10
<b>MS 107-622</b>	Charr.12
<b>MS 107-623</b>	Charr.14
<b>MS 107-624</b>	Charr.16
<b>MS 107-625</b>	Charr.18



**REDON**

<b>MS 107-630</b>	Charr.8
<b>MS 107-631</b>	Charr.10
<b>MS 107-632</b>	Charr.12
<b>MS 107-633</b>	Charr.14
<b>MS 107-634</b>	Charr.16
<b>MS 107-635</b>	Charr.18



**REDON**

<b>MS 107-640</b>	Charr.8
<b>MS 107-641</b>	Charr.10
<b>MS 107-642</b>	Charr.12
<b>MS 107-643</b>	Charr.14
<b>MS 107-644</b>	Charr.16
<b>MS 107-645</b>	Charr.18



**IOWA**

<b>MS 107-650</b>	14,0 cm / 5 1/4"
-------------------	------------------



<b>MS 107-651</b>
-------------------



**MS 107-660** Ø 1,20x80 mm  
**MS 107-661** Ø 1,50x80 mm



**MENGHINI**

<b>MS 107-670</b>	Ø 1,00x 35 mm
<b>MS 107-671</b>	Ø 1,00x 70 mm
<b>MS 107-672</b>	Ø 1,20x 70 mm
<b>MS 107-673</b>	Ø 1,20x100 mm
<b>MS 107-674</b>	Ø 1,40x 70 mm
<b>MS 107-675</b>	Ø 1,40x100 mm
<b>MS 107-676</b>	Ø 1,60x 70 mm
<b>MS 107-677</b>	Ø 1,60x100 mm



**QUINKE**

<b>MS 107-690</b>	Ø 1,20x 76 mm
<b>MS 107-691</b>	Ø 1,20x 89 mm
<b>MS 107-692</b>	Ø 1,00x 76 mm
<b>MS 107-693</b>	Ø 1,00x 89 mm
<b>MS 107-694</b>	Ø 0,70x 76 mm
<b>MS 107-695</b>	Ø 0,70x 89 mm



**MENGHINI**

<b>MS 107-710</b>	Ø 1,40x168 mm
<b>MS 107-711</b>	Ø 1,80x168 mm



**TUOHY**

<b>MS 107-720</b>	Ø 1,20x76 mm
<b>MS 107-721</b>	Ø 1,40x76 mm
<b>MS 107-722</b>	Ø 1,60x76 mm



**BIER**

<b>MS 107-730</b>	Ø 1,4x80 mm
<b>MS 107-731</b>	Ø 1,6x80 mm
<b>MS 107-732</b>	Ø 1,8x80 mm
<b>MS 107-733</b>	Ø 2,0x80 mm

<b>MS 107-734</b>	Ø 1,4x100 mm
<b>MS 107-735</b>	Ø 1,6x100 mm
<b>MS 107-736</b>	Ø 1,8x100 mm
<b>MS 107-737</b>	Ø 2,0x100 mm



**VERRE**

<b>MS 107-750</b>	Ø 2,00x100 mm
<b>MS 107-751</b>	Ø 2,00x120 mm
<b>MS 107-752</b>	Ø 2,00x150 mm



**SCHMID**  
15,0 cm / 6"

Ø 3,0 mm



**MS 107-760**

Ø 4,0 mm



**MS 107-761**

Ø 5,0 mm



**MS 107-762**

Ø 6,0 mm



**MS 107-763**



**KLIMA-ROSSEGER**

**MS 107-770** Ø 1,60x40 mm



**MS 107-800**



**MS 107-801**



**MS 107-802** Ø 6 mm  
**MS 107-803** Ø 8 mm



**MS 107-804**



**MS 107-805**



**MS 107-806**



**MS 107-807**